

Jinan HonHai Glass Company Limited

Contents

- About us
- Street lights
- HighBay lights
- Spot lights
- Projects
- Customer-made

Glass Lens composition

Composition	Unit	Value	Composition	Unit	Value
SiO ₂	%	80.23	MgO	%	0.0046
Fe ₂ O ₃	%	0.014	K ₂ O	%	0.053
Al ₂ O ₃	%	2.25	Na ₂ O	%	4.40
CaO	%	0.011	B ₂ O ₃	%	12.82

Experience requirements:

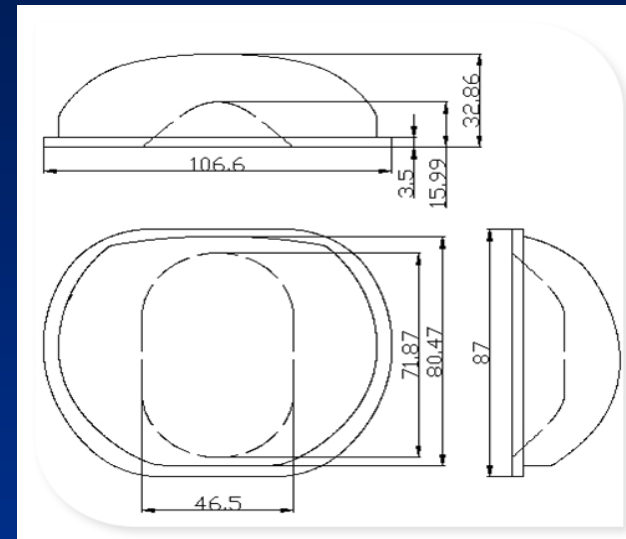
S/N	Item	Measurement of area	Test result
1	点缺陷（异色点\气泡\凹坑\油渍） Point defect(bad points/bubbles)	$D \leq 0.20\text{mm}$ ($S \leq 0.03\text{mm}^2$), and $\leq N1$	√
2	毛边\Burr	$H \leq 0.3\text{mm}$	√
3	细划痕 Tiny scratches	$L \leq 3\text{mm}$, $W \leq 0.1\text{mm}$, $N \leq 1$ ($S \leq 0.3\text{mm}^2$)	√
4	硬划痕\碰伤 Hard scratches\crack	不允许 Not allowed	√
5	手印 Fingerprint	不允许（以反光能检查到为条件） Not allowed (Take the checking after the reflecting light condition)	√
6	变形 Changing shape	不允许 Not allowed	√
7	顶白\顶凸 Surface projection\Surface hoar	不允许 Not allowed	√
8	填充不足 Insufficient filling	不允许 Not allowed	√
9	缩水 Shrink	不允许 Not allowed	√
10	流纹 Rhyolite	不允许 Not allowed	√
11	银条 sliver streak	不允许 Not allowed	√

Products

➤ Street lights



Item No.: GT-110NA



Beam angle:75*135Deg.

Material: Borosilicate

Products

➤ Street lights



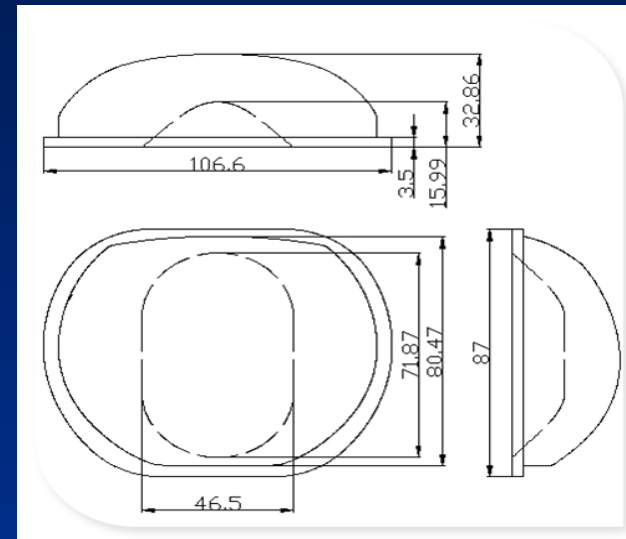
(for stainless steel holder+sealing ring) ;



(for Aluminum holder+sealing ring) ;

Products

➤ Street lights (New Product)



Item No.: GT-110-27NA

Beam angle:75*135Deg.

Non-glare Lens

Material: Borosilicate

Products

➤ Street lights

(110series stainless steel holder+sealing ring) ;



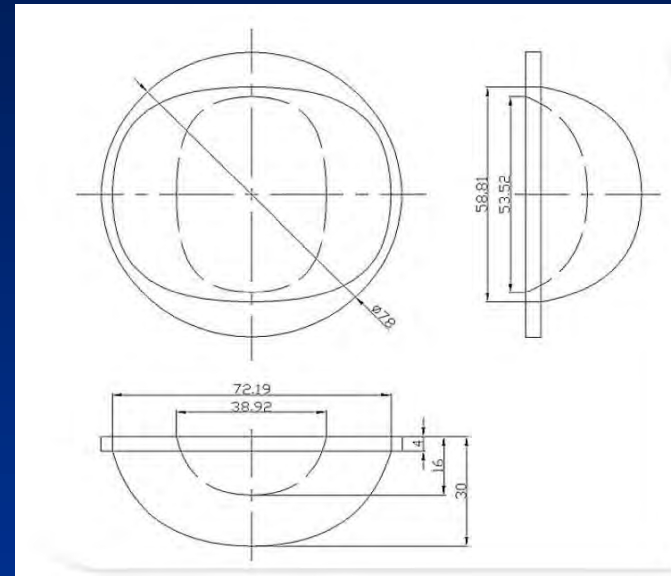
(for Aluminum holder+sealing ring) ;

Products

➤ Street lights



Item No.: GT-78-17NA

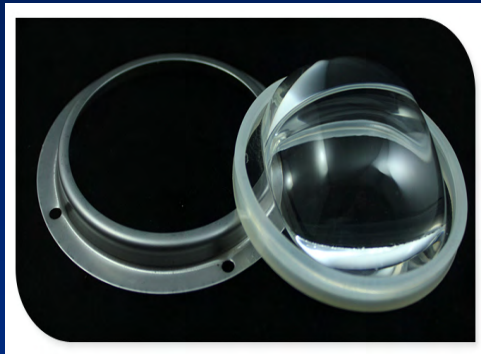


Beam Angle: 80*125Deg.

Material: Borosilicate

Products

➤ Street lights



(for stainless steel holder+sealing ring) ;



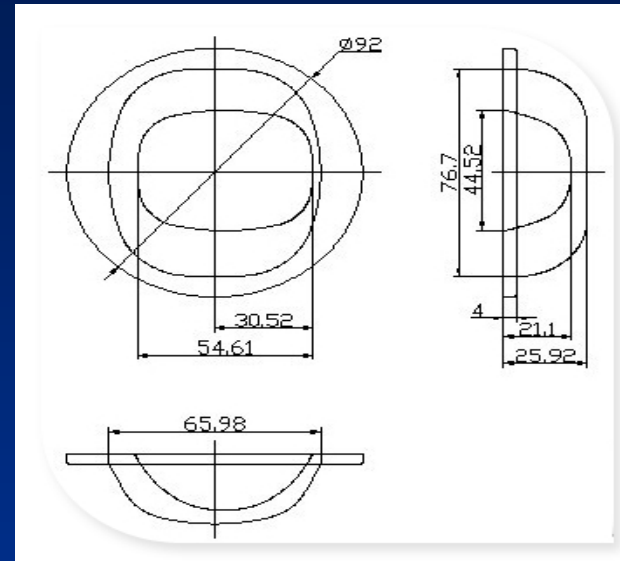
(for Aluminum holder+sealing ring) ;

Products

➤ Street lights



Item No.: GT-92NA



Beam angle:80*140 Deg.

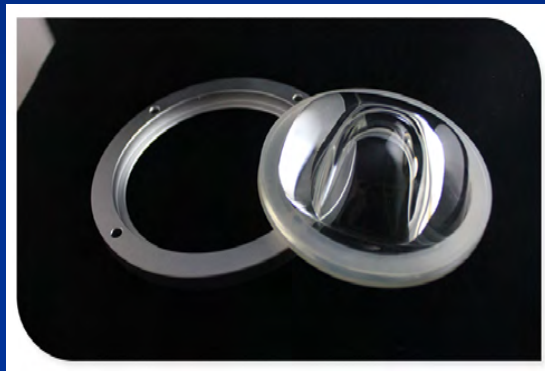
Material: Borosilicate

Products

➤ Street lights



(for stainless steel holder+sealing ring) ;



(for Aluminum holder+sealing ring) ;

Products

➤ Street lights(New Product)



Same dimension with GT-92NA

Item No.: GT-92-2-6NA

Beam angle:70*120 Deg.

Material: Borosilicate

Products

➤ Street lights



(for Aluminum holder+sealing ring) ;

(stainless steel holder+sealing ring:same with GT-92NA) ;

Products

➤ Street lights(New Product)



Diameter:92.3mm
Height:31mm
Step height:4.5mm
Concave diameter:56mm

Item No.: GT-92-13NA

Beam angle:Polarization effect

Material: Borosilicate

Products

➤ Street lights

same as the holder for GT-92-2NA

(for stainless steel holder+sealing ring) ;



(for Aluminum holder+sealing ring) ;

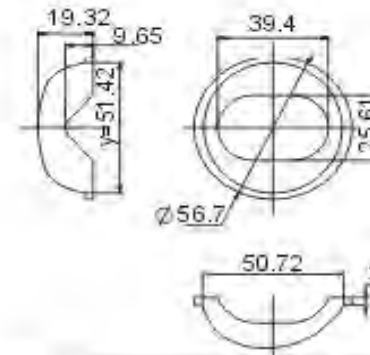
Products

➤ Street lights



Item No.: GT-57NA

型号/Model : 57内凹/ GT-phis.
材质/Material : 光学玻璃/optic gla.
透光率/light transmittance : 94%



Beam angle:60*120 Deg.

Material: Borosilicate

Products

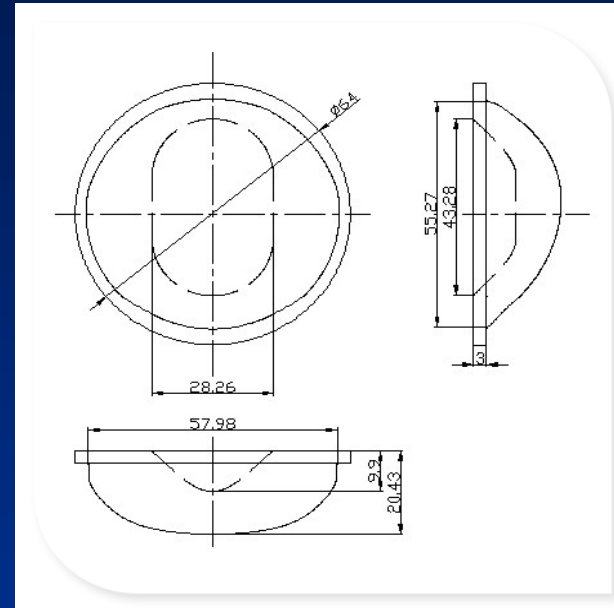
➤ Street lights



(for Stainless Steel holder+sealing ring) ;

Products

➤ Street lights



Item No.: GT-64NA

Beam angle:60*120 Deg.

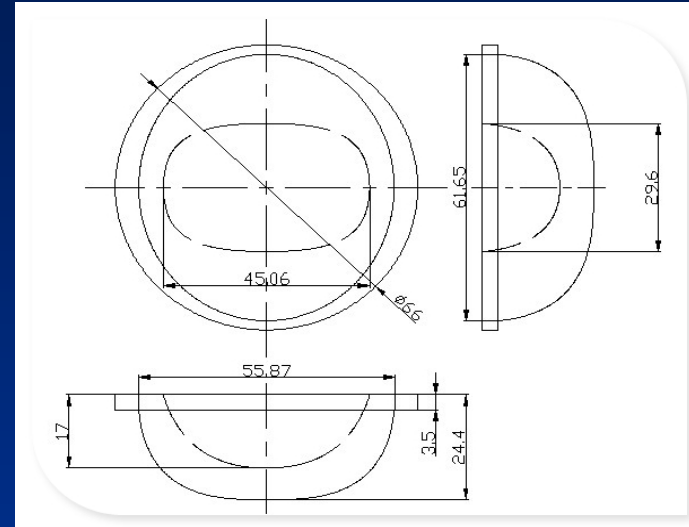
Material: Borosilicate

Products

➤ Street lights



Item No.: GT-66-7NA



Beam angle:85*130 Deg.

Material: Borosilicate

Products

➤ Street lights



(for stainless steel holder+sealing ring) ;



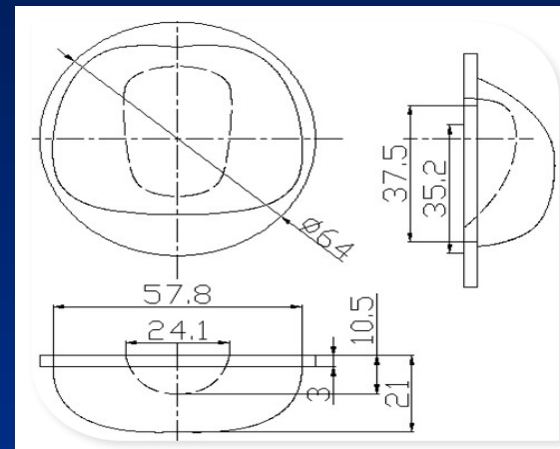
(for Aluminum holder+sealing ring) ;

Products

➤ Street lights



Item No.: GT-64-5NA



Beam angle:70*130 Deg.

Material: Borosilicate

Products

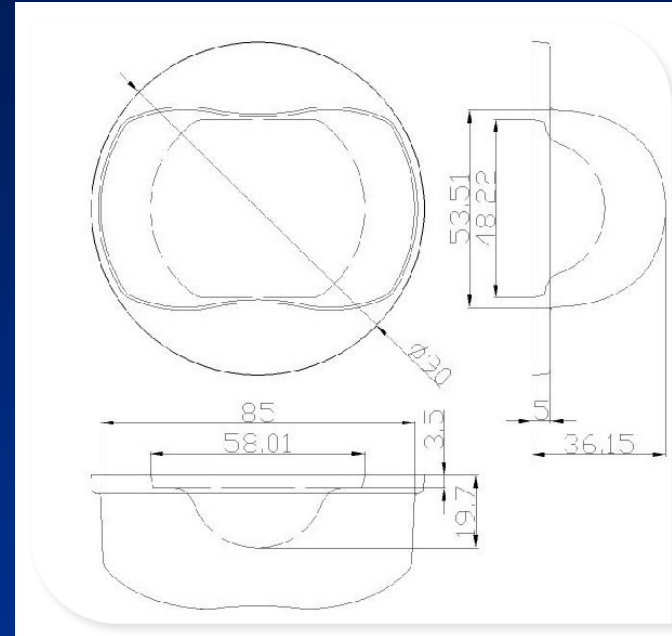
➤ Street lights



(for Aluminum holder+sealing ring) ;

Products

➤ Street lights



Item No.: GT-90-3-2NA

Beam angle:60*130 Deg.

Material:Borosilicate

Products

➤ Street lights



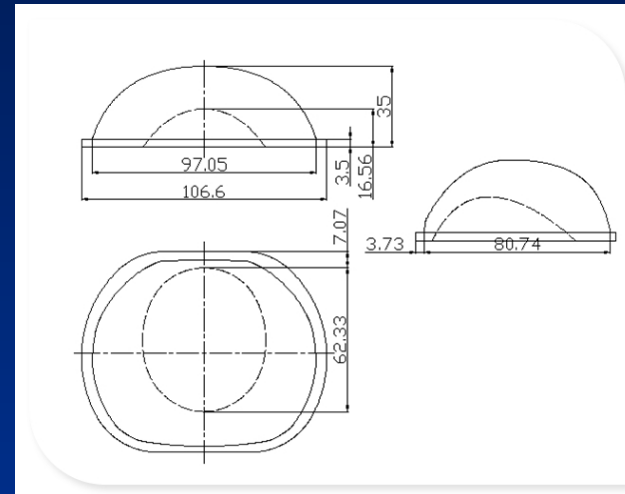
(for stainless steel holder+sealing ring) ;

Products

➤ Street lights



Item No.: GT-107-7NA



Polarization effect espesically for tunnel light

Material: Borosilicate

Products

➤ Street lights



(for stainless steel holder+sealing ring) ;



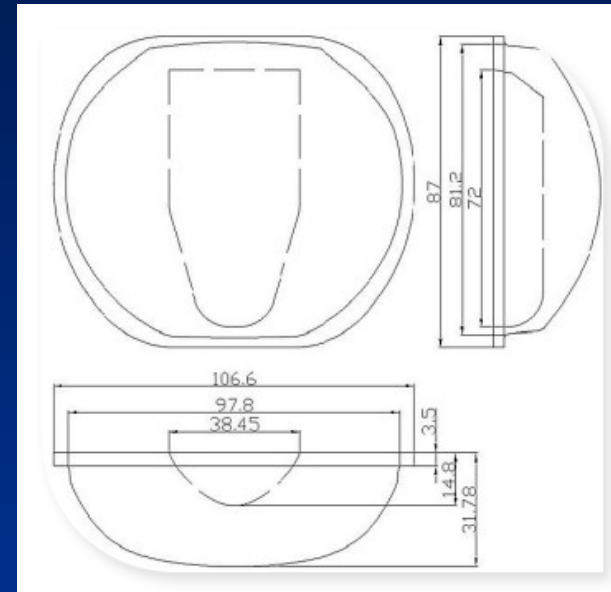
(for Aluminum holder+sealing ring) ; same holder with GT-110NA

Products

➤ Street lights



Item No.: GT-107-2NA



Polarization effect especially for tunnel light

Material: Borosilicate

Products

➤ Street lights



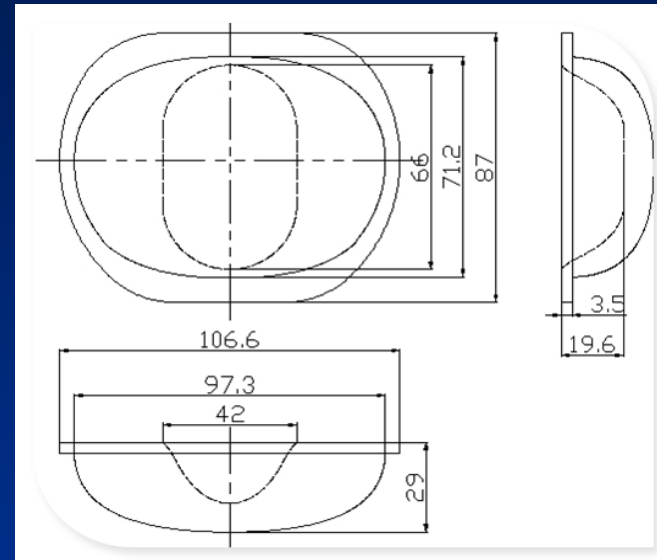
(for stainless steel holder+sealing ring) ;



(for Aluminum holder+sealing ring) ; same holder with GT-110NA

Products

➤ Street lights



Item No.: GT-107-11NA

Beam angle:120*160 Deg.

Material: Borosilicate

Products

➤ Street lights



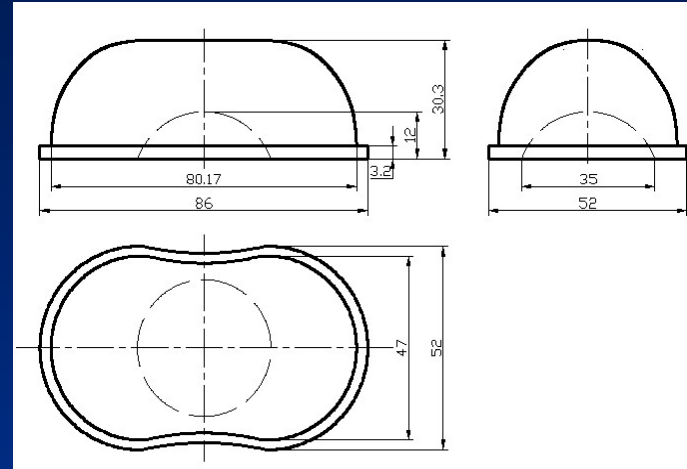
(for stainless steel holder+sealing ring) ;



(for Aluminum holder+sealing ring) ; same holder with GT-110NA

Products Price

➤ Street lights



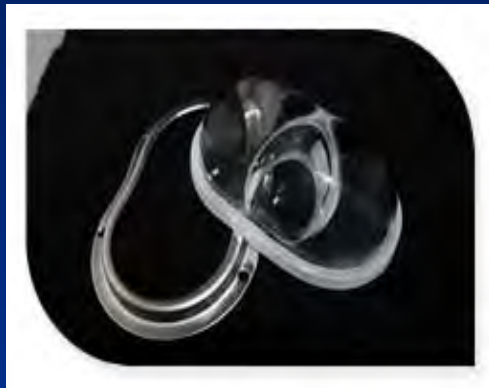
Item No.: GT-84NA

Beam angle:50*110 Deg.

Material: Borosilicate

Products

➤ Street lights



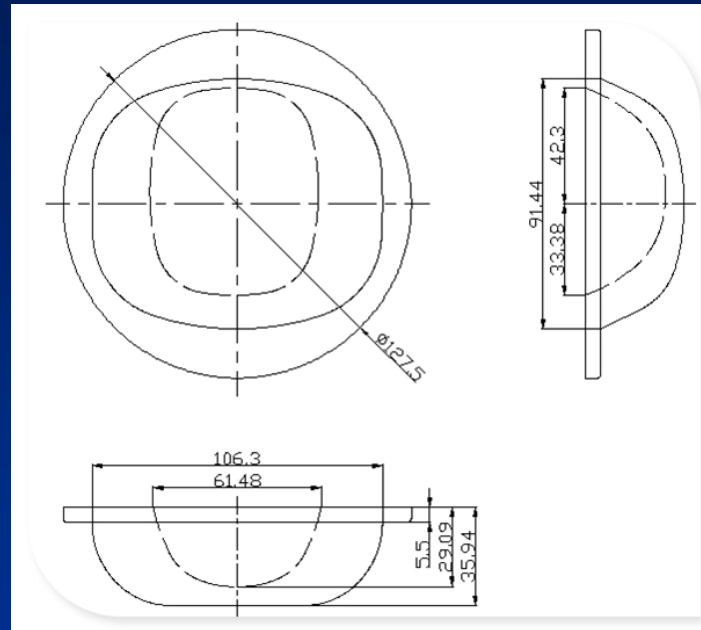
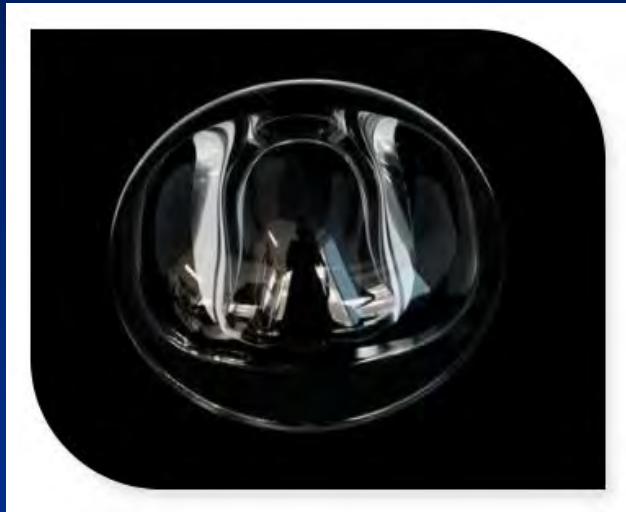
(for stainless steel holder+sealing ring) ;



(for Aluminum holder+sealing ring) ;

Products

➤ Street lights



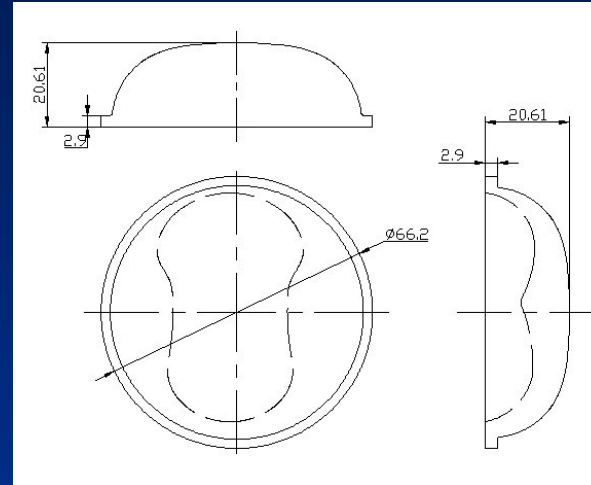
Item No.: GT-129NA

Beam angle:60*130 Deg.

Material: Borosilicate

Products

➤ Street lights



Item No.: GT-66-2NA

Beam angle:60*120 Deg.

Material: Borosilicate

Products

➤ Street lights



(for stainless steel holder+sealing ring) ;



(for Aluminum holder+sealing ring) ;

Products

➤ Street lights



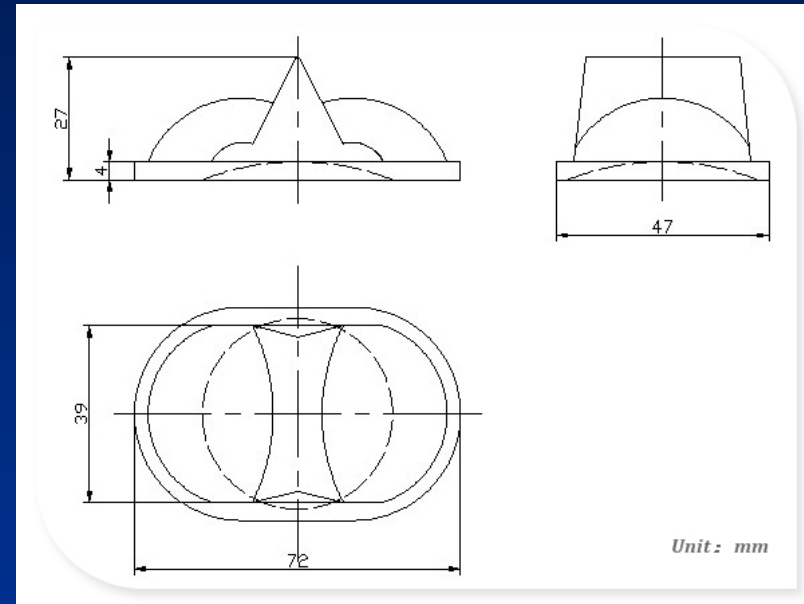
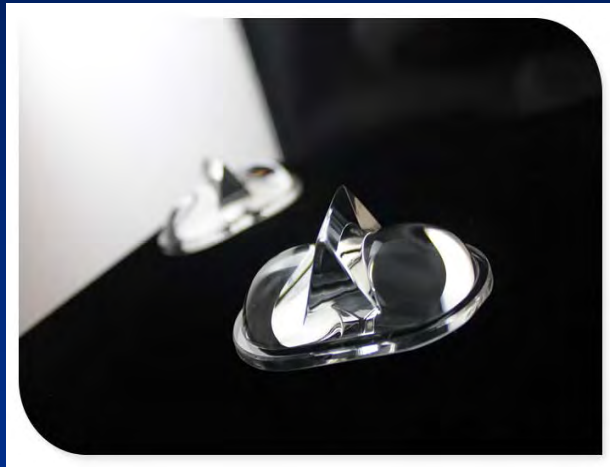
Item No.: GT-65-3NA

Beam angle:60*120 Deg.

Material: Borosilicate

Products

➤ Street lights



Item No.: GT-SL05

Beam angle:60*120 Deg.

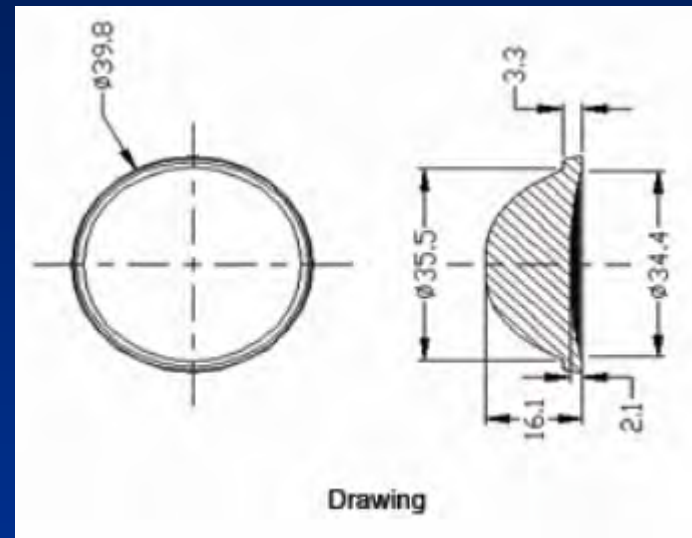
Material: Borosilicate

Products

➤ Spot lights



Item No.: GT-40-12NA

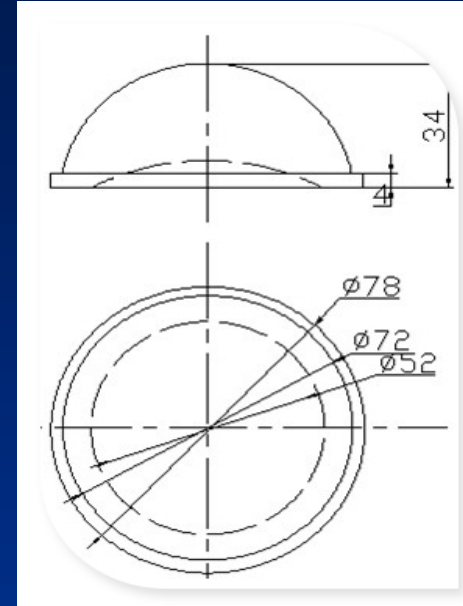


Beam angle:80 Deg.

Material: Borosilicate

Products

➤ Highbay lights



Item No.: GT-78-4NA

Beam angle:90 Deg.

Material: Borosilicate

Products

➤ Highbay lights



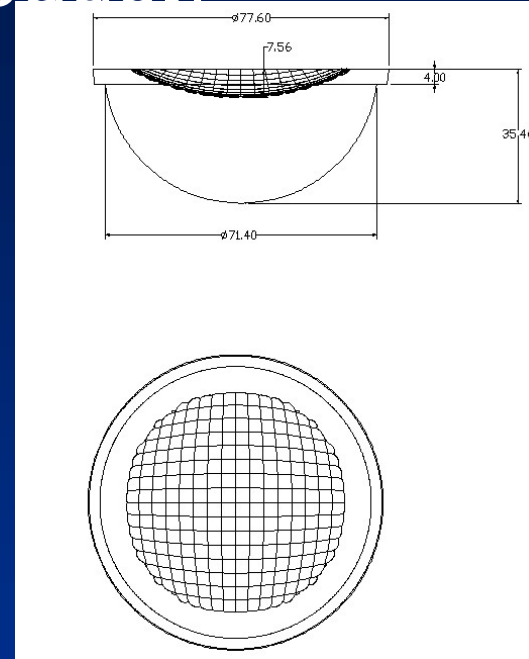
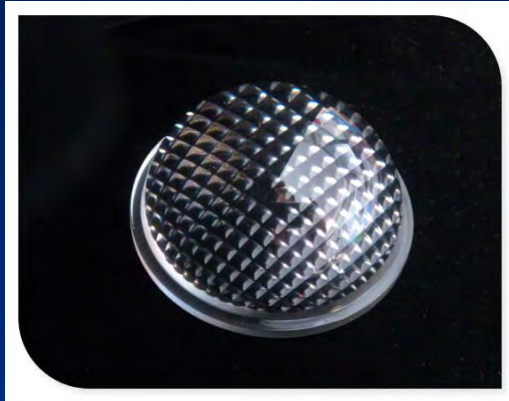
(for stainless steel holder+sealing ring) ;



(for Aluminum holder+sealing ring) ;

Products

➤ Highbay lights(New Product)



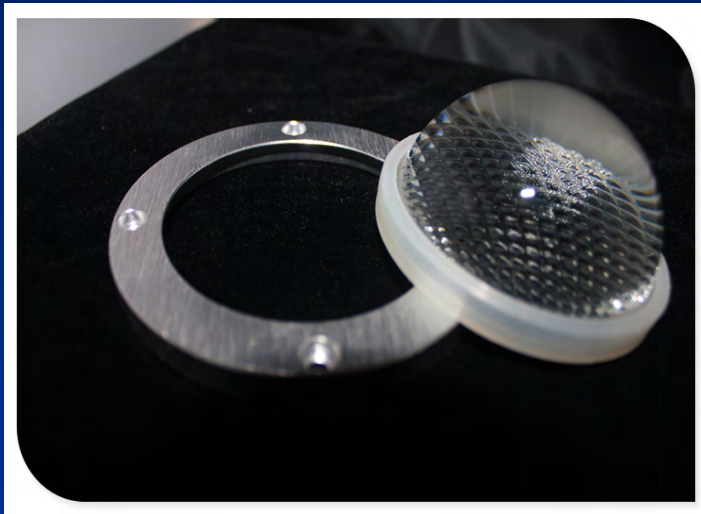
Item No.: GT-78-3NA

Beam angle:90 Deg.

Material: Borosilicate

Products

➤ Highbay lights



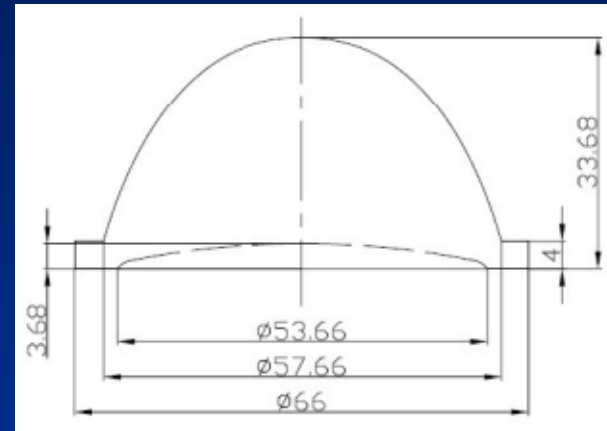
(for Aluminum holder+sealing ring) ;

Products

➤ Highbay lights



Item No.: GT-66-6NA



Beam angle:60 Deg.

Material: Borosilicate

Products

➤ Highbay lights



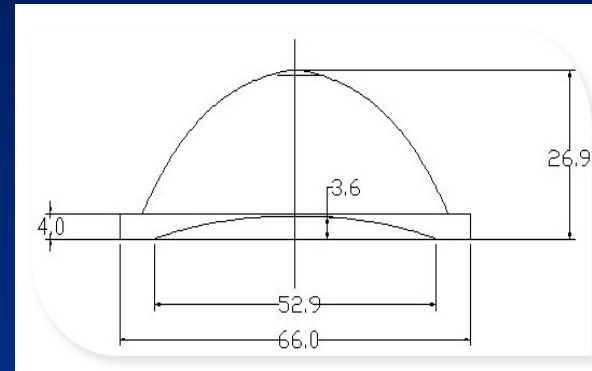
(for stainless steel holder+sealing ring) ;



(for Aluminum holder+sealing ring) ;

Products

➤ Highbay lights



Item No.: GT-66-8NA

Beam angle: 90 Deg.

Material: Borosilicate

Products

➤ Highbay lights



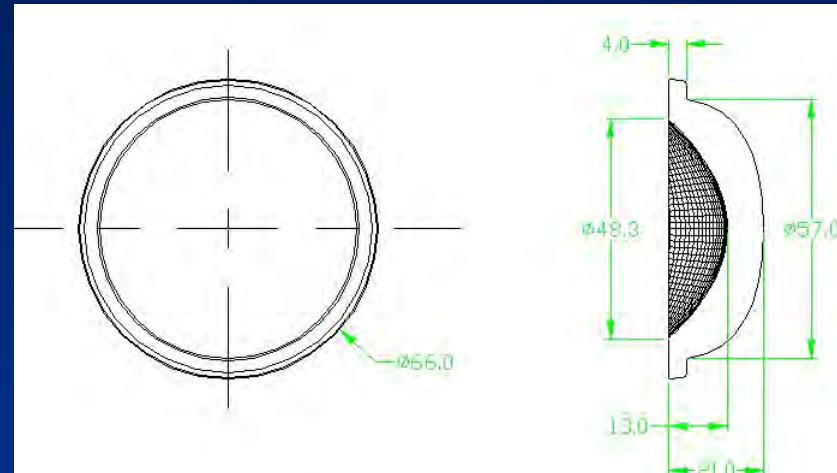
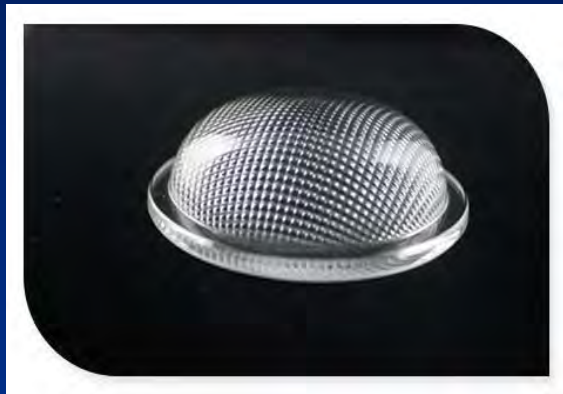
(for stainless steel holder+sealing ring) ;



(for Aluminum holder+sealing ring) ;

Products

➤ Highbay lights(New Product)



Beam angle:120 Deg.

Item No.: GT-66-11NA

Material: Borosilicate

Products

➤ Highbay lights(New Product)



(for Aluminum holder+sealing ring) ;

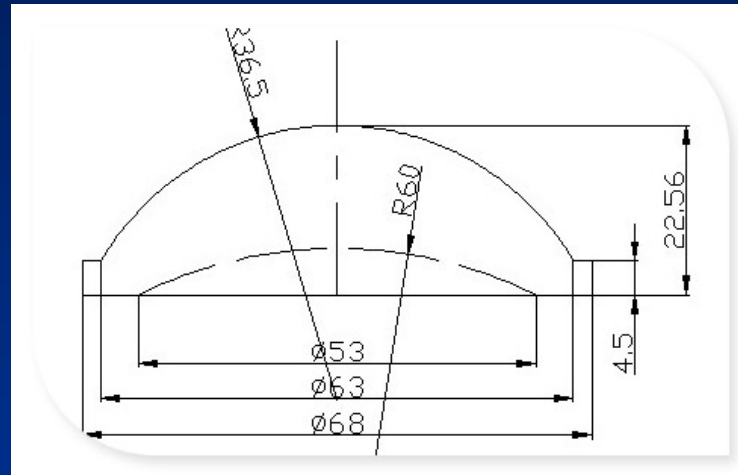
(Stainless steel holder+sealing ring:same with 66 series) ;

Products

➤ Highbay lights



Item No.: GT-68-3NA



Beam angle: 110 Deg.

Material: Borosilicate

Products

➤ Highbay lights



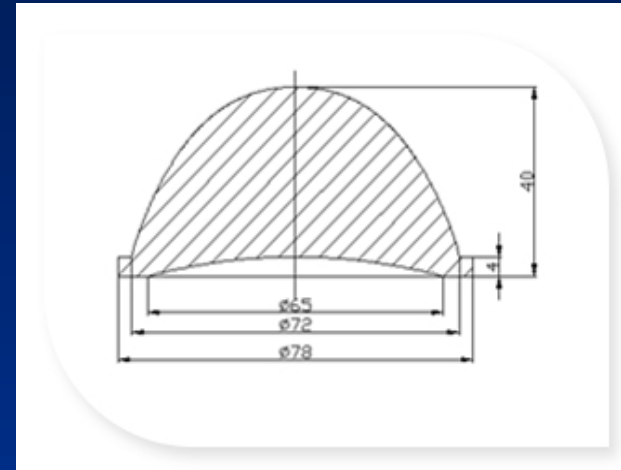
(for Aluminum holder+sealing ring) ;

Products

➤ Highbay lights



Item No.: GT-78-24NA



Beam angle: 60 Deg.

Material: Borosilicate

Products

➤ Highbay lights



(for stainless steel holder+sealing ring) ;



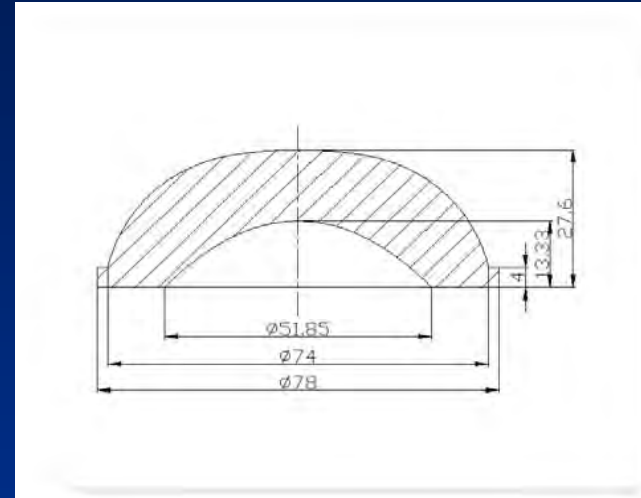
(for Aluminum holder+sealing ring) ;

Products

➤ Highbay lights



Item No.: GT-78-45NA



Beam angle: 120 Deg.

Material: Borosilicate

Products

➤ Highbay lights



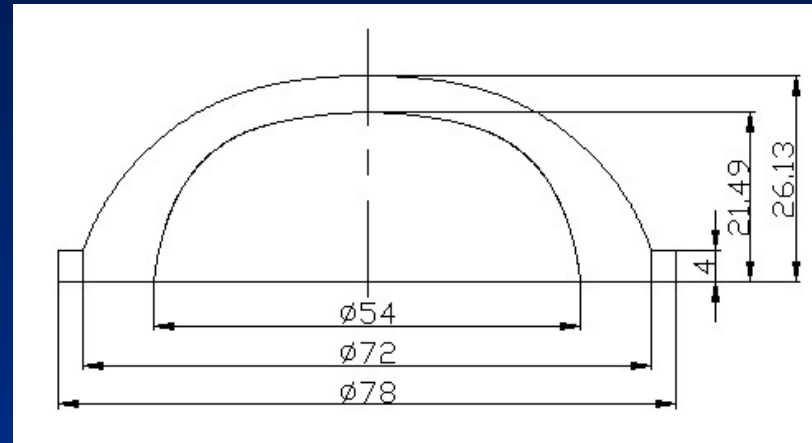
(for stainless steel holder+sealing ring) ;



(for Aluminum holder+sealing ring) ;

Products

➤ Highbay lights



Item No.: GT-78-22NA

Beam angle: 180 Deg.

Material: Borosilicate

Products

➤ Highbay lights



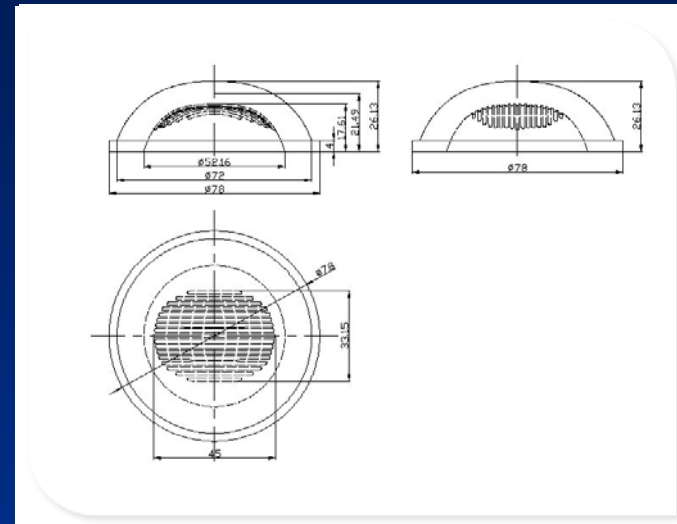
(for stainless steel holder+sealing ring) ;



(for Aluminum holder+sealing ring) ;

Products

➤ Highbay lights



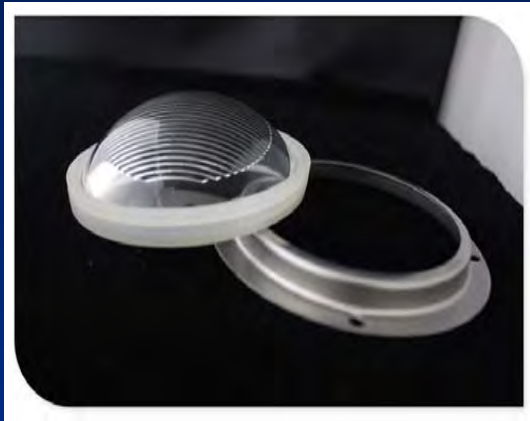
Item No.: GT-78-23NA

Beam angle: 160 Deg.

Material: Borosilicate

Products

➤ Highbay lights



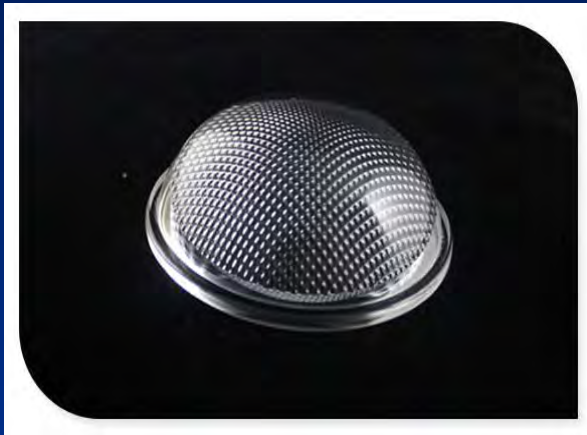
(for stainless steel holder+sealing ring) ;



(for Aluminum holder+sealing ring) ;

Products

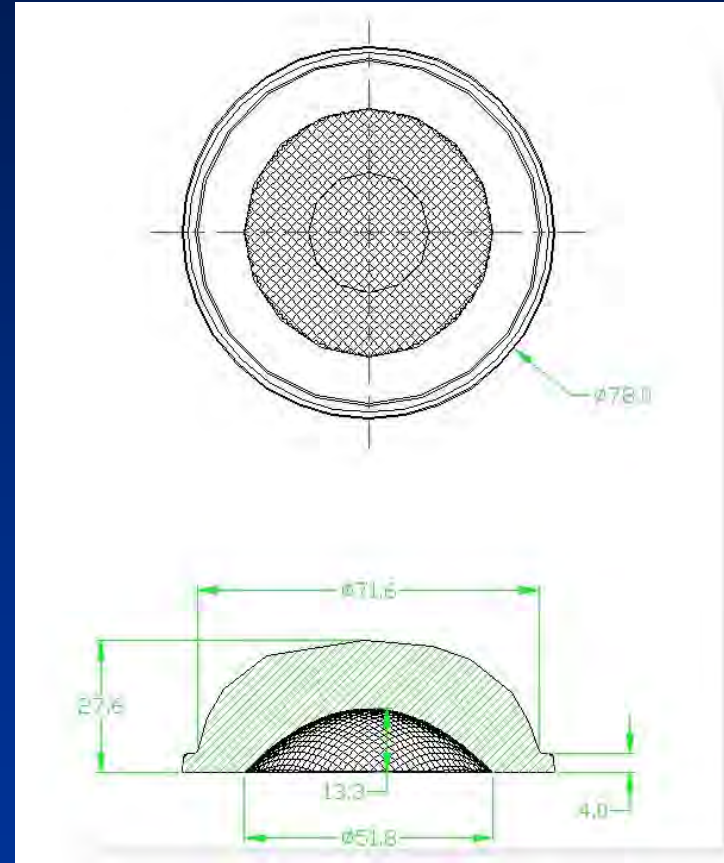
➤ Highbay lights(New Product)



Item No.: GT-78-43NA

Beam angle:100 Deg.

Material: Borosilicate



Products

➤ Highbay lights

(Stainless steel holder+sealing ring:same with 78 series) ;



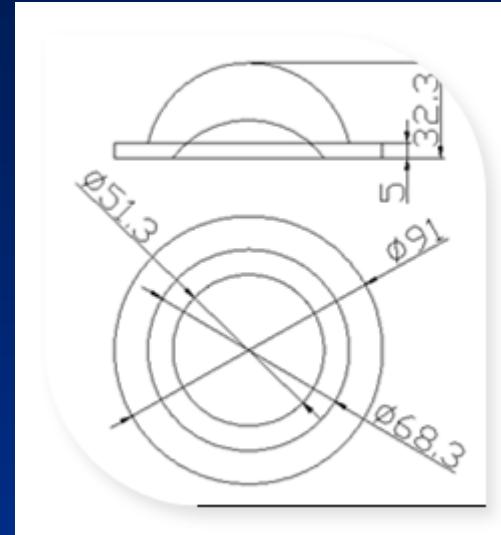
(for Aluminum holder+sealing ring) ;

Products

➤ Highbay lights



Item No.: GT-91NA



Beam angle:120 Deg.

Material: Borosilicate

Products

➤ Highbay lights

Item No.: GT-71NA

Beam angle:90 Deg.

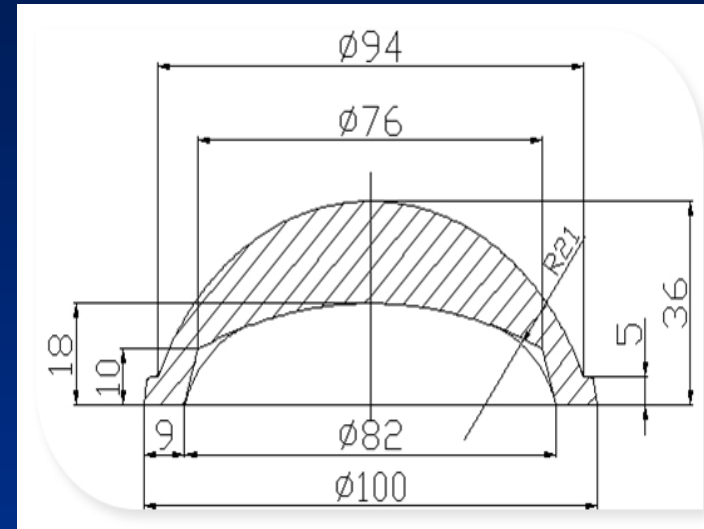
Material:Borosilicate

Products

➤ Highbay lights



Item No.: GT-100-4NA



Beam angle:90 Deg.

Material: Borosilicate

Products

➤ Highbay lights



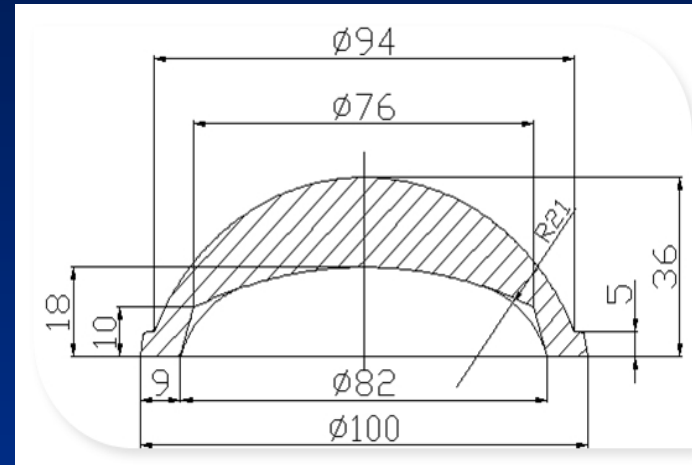
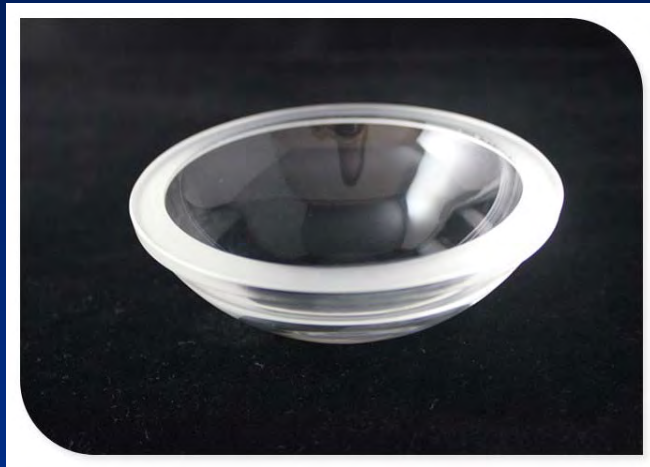
(for stainless steel holder+sealing ring) ;



(for Aluminum holder+sealing ring) ;

Products

➤ Highbay lights



Item No.: GT-100-4NA(frost)

Beam angle: 90 Deg.

Material: Borosilicate

Products

➤ Highbay lights



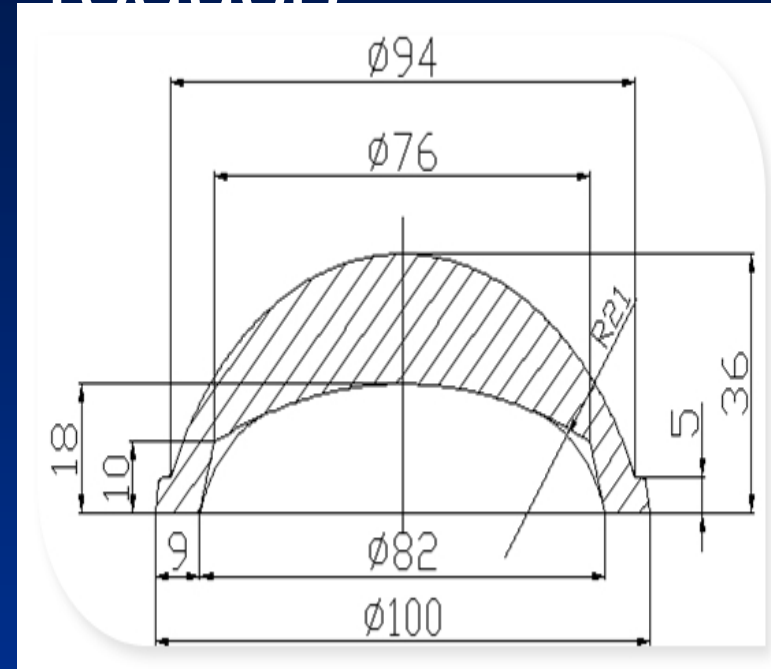
(for Aluminum holder+sealing ring) ;



(for stainless steel holder+sealing ring) ;

Products

➤ Highbay lights(New Product)



Item No.: GT-100-20NA

Beam angle:90 Deg.

Material: Borosilicate

Products

➤ Highbay lights



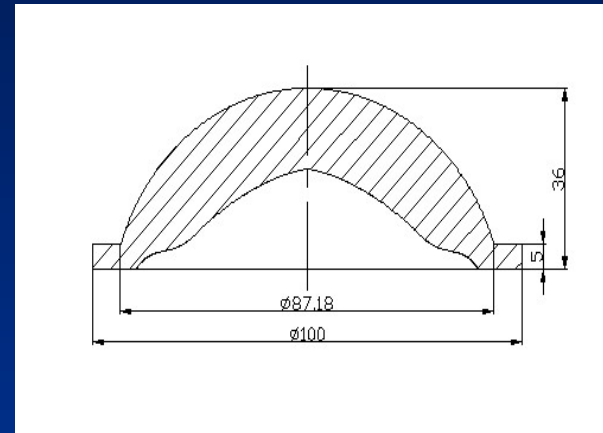
(for Aluminum holder+sealing ring) ;



(for stainless steel holder+sealing ring) ;

Products

➤ Highbay lights



Item No.: GT-100-7NA

Beam angle: 90 Deg.

Material: Borosilicate

Products

➤ Highbay lights



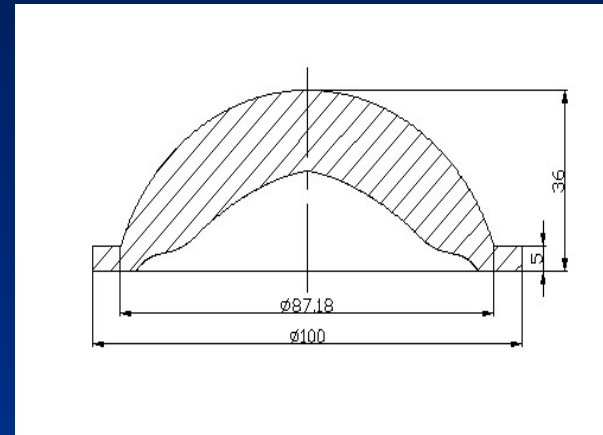
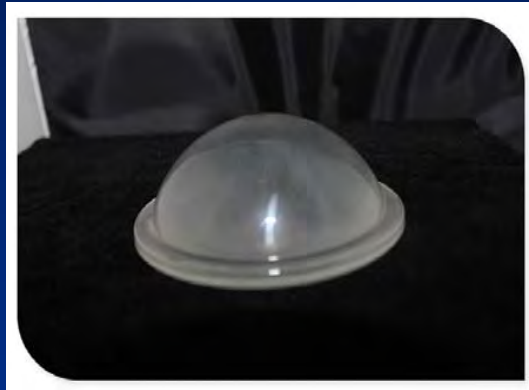
stainless steel holder+sealing ring;



Aluminum holder sealing ring

Products

➤ Highbay lights



Item No.: GT-100-7NA(Concave frosted)

Beam angle:90 Deg.

Material: Borosilicate

Products

➤ Highbay lights



(for stainless steel holder+sealing ring) ;

same Aluminum holder sealing ring as 100series

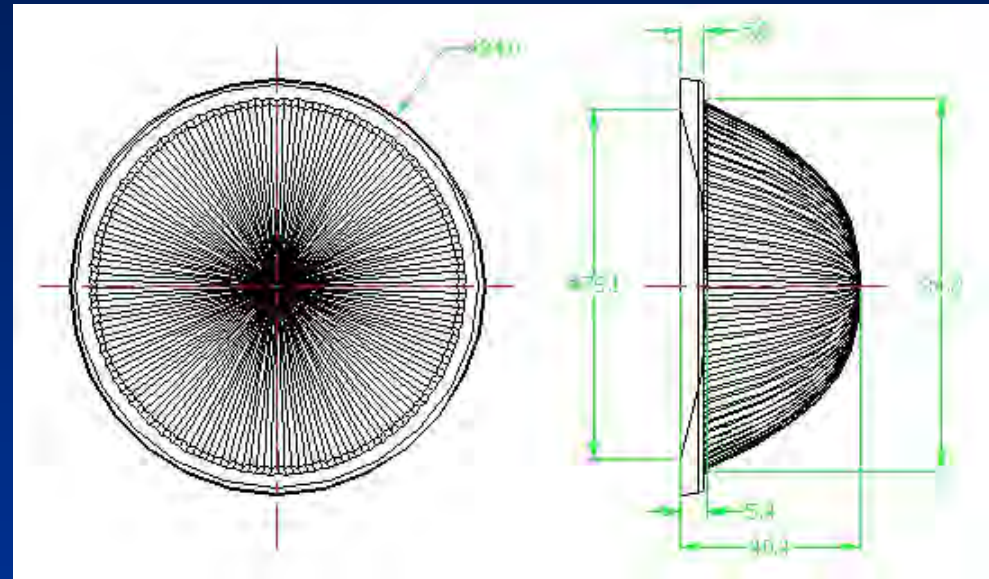
Products

➤ Highbay lights



Item No.: GT-94-8NA

Special for CLL052



Beam angle:70 Deg.

Material: Borosilicate

Products

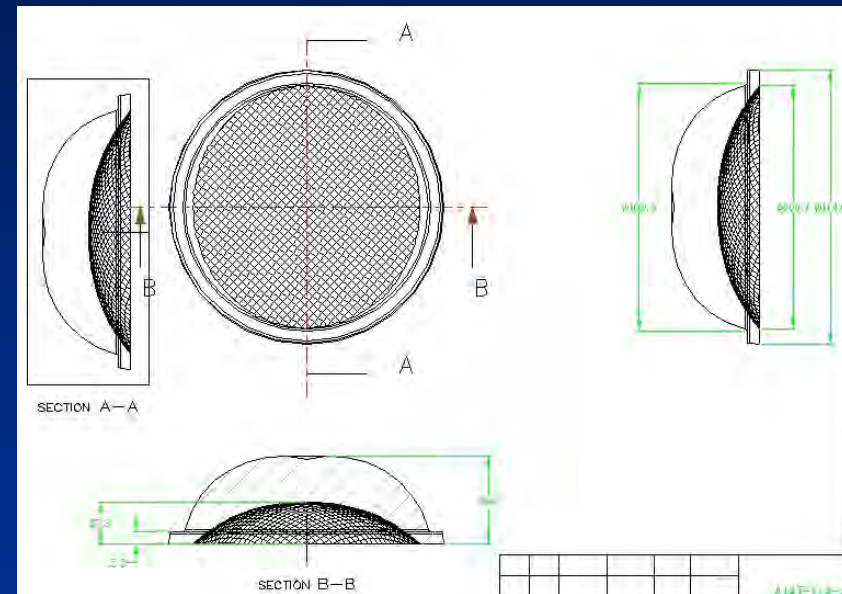
➤ Highbay lights



Aluminum holder +sealing ring

Products

➤ Highbay lights(New Product)



Item No.: GT-114-4NA

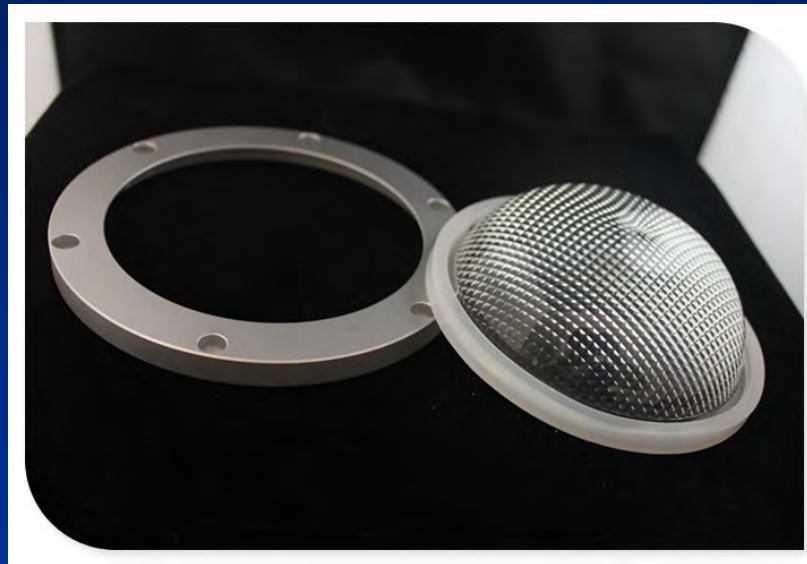
Special for CLL052

Beam angle:110 Deg.

Material: Borosilicate

Products

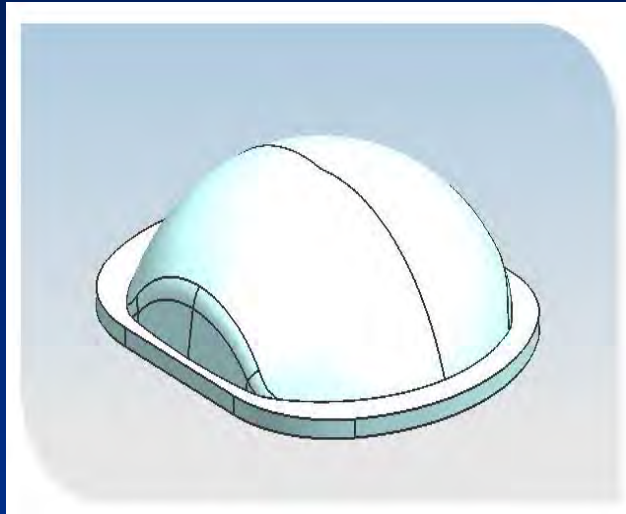
➤ Highbay lights



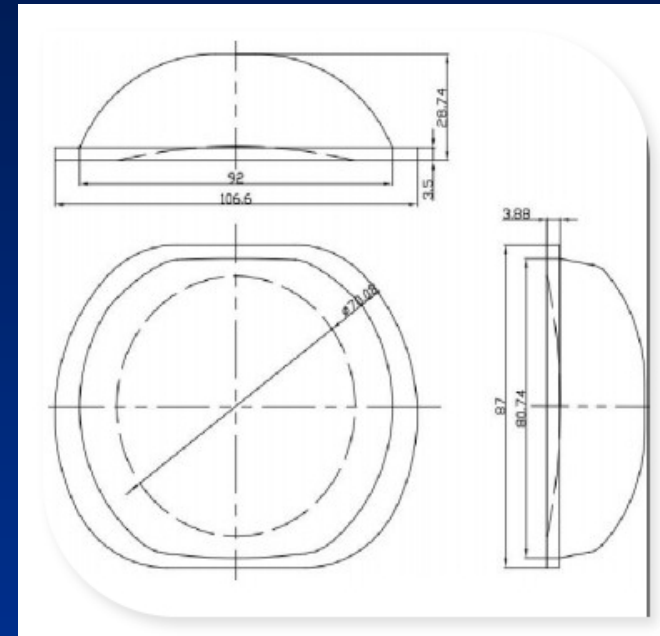
Aluminum holder +sealing ring

Products

➤ Highbay lights



Item No.: 107-6NA



Beam angle:90 Deg.

Material:Borosilicate

Products

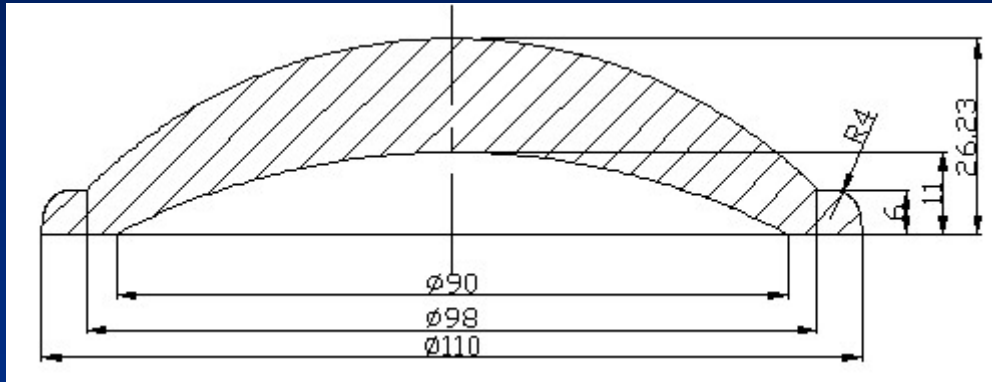
➤ Highbay lights



(for stainless steel holder+sealing ring) ;

Products

➤ Highbay lights



Item No.: 110-6NA

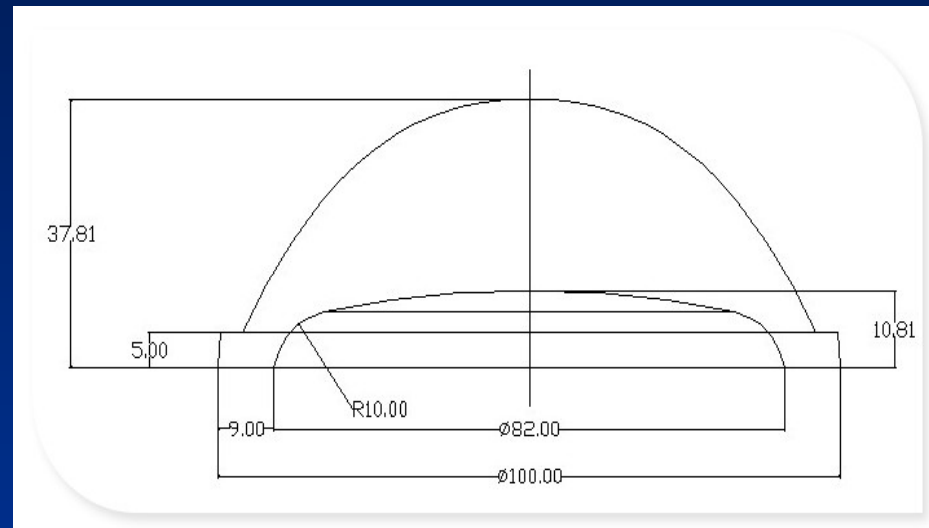
Beam angle:90 Deg.

Products

➤ Highbay lights



Item No.: GT-100-5NA



Beam angle:60 Deg.

Material: Borosilicate

Products

➤ Highbay lights

(100series stainless steel holder+sealing ring) ;



(with Aluminum holder+sealing ring) ;

Products

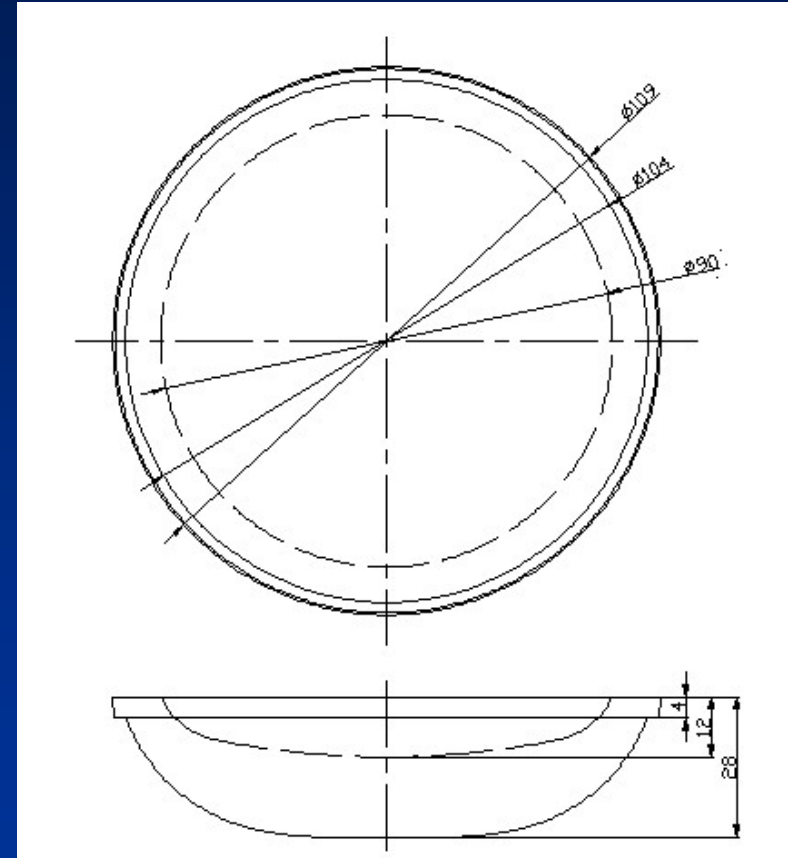
➤ Highbay lights



Item No.: GT-109-2NA

Beam angle: 90 Deg.

Material: Borosilicate



Products

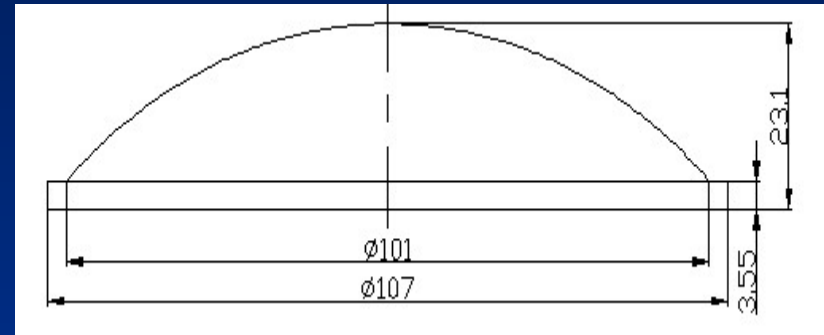
➤ Highbay lights



Aluminum holder +sealing ring

Products

➤ Plano Convex Lens

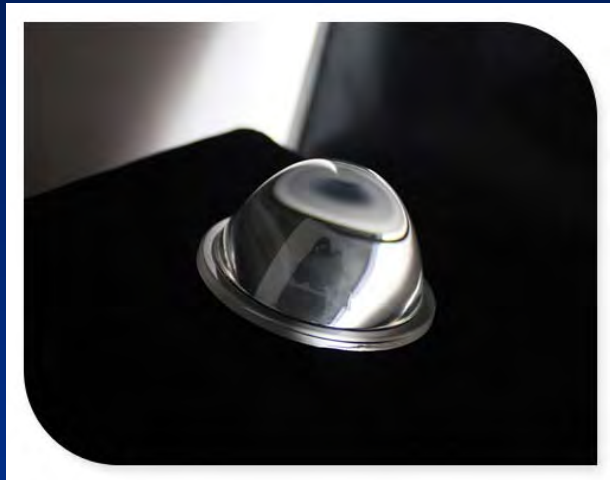


Item No.: 107-17

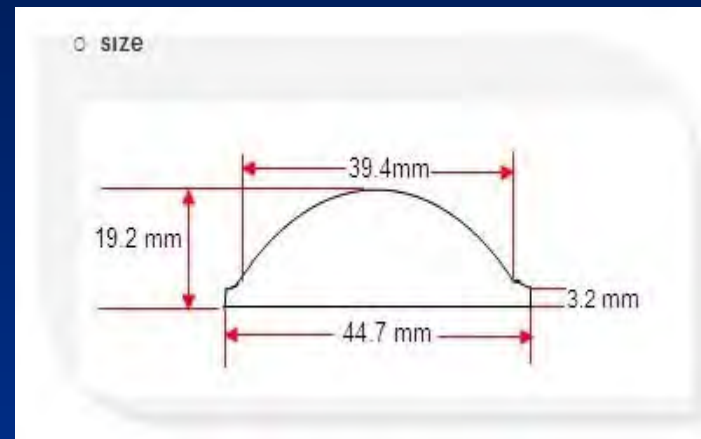
Beam angle: 100 Deg.

Products

➤ Plano Convex Lens



Item No.: GT-44.5



Beam angle:45 Deg.

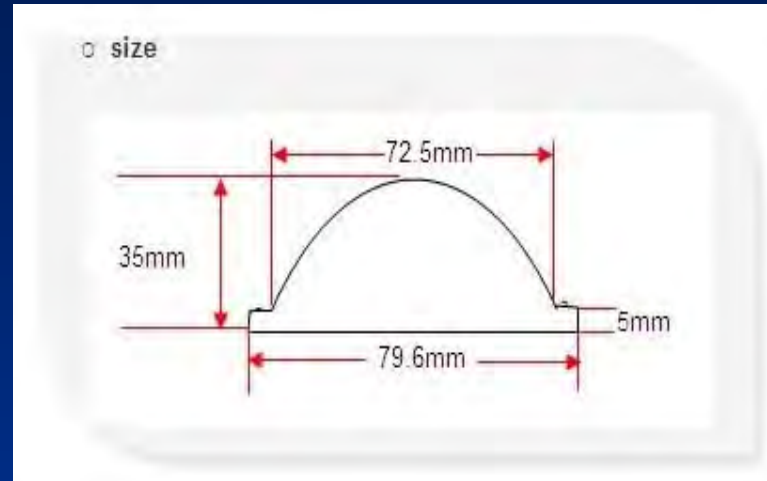
Material: Borosilicate

Products

➤ Plano Convex Lens



Item No.: GT-78-8



Beam angle:60 Deg.

Material: Borosilicate

Products

➤ Plano Convex Lens



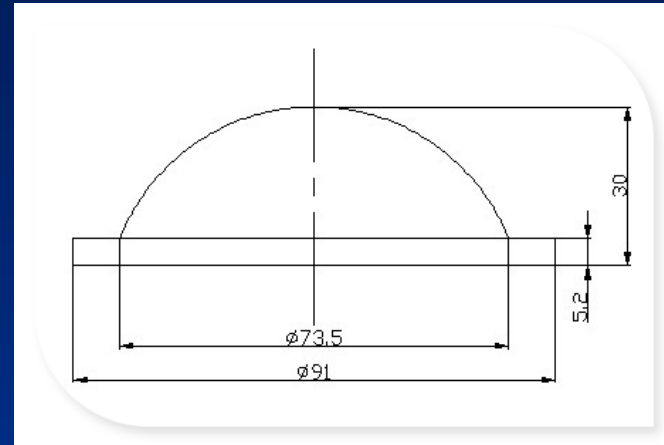
(for stainless steel holder+sealing ring) ;



(for Aluminum holder+sealing ring) ;

Products

➤ Plano Convex Lens



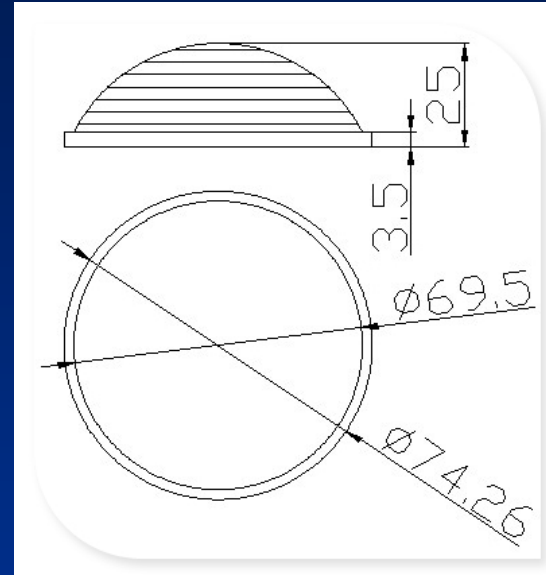
Item No.: GT-91PT

Beam angle: 120 Deg.

Material: Borosilicate

Products

➤ Plano Convex Lens



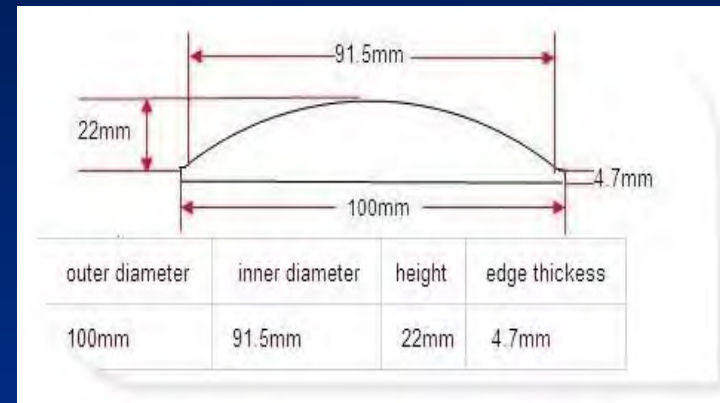
Item No.: GT-75LW

Beam angle: 120 Deg.

Material: Borosilicate

Products

➤ Plano Convex Lens



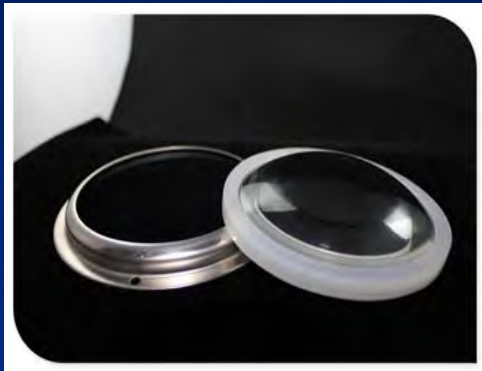
Item No.: GT-100-00

Beam angle:120 Deg.

Material: Borosilicate

Products

➤ Plano Convex Lens



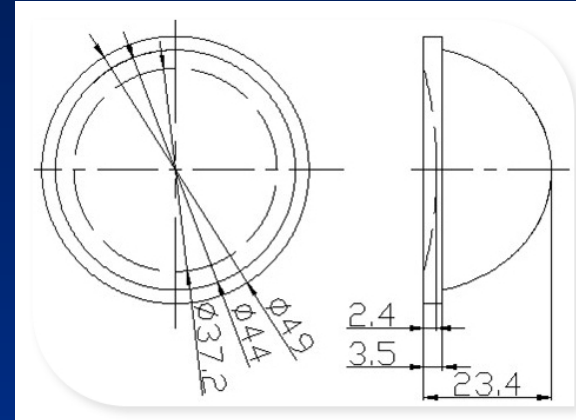
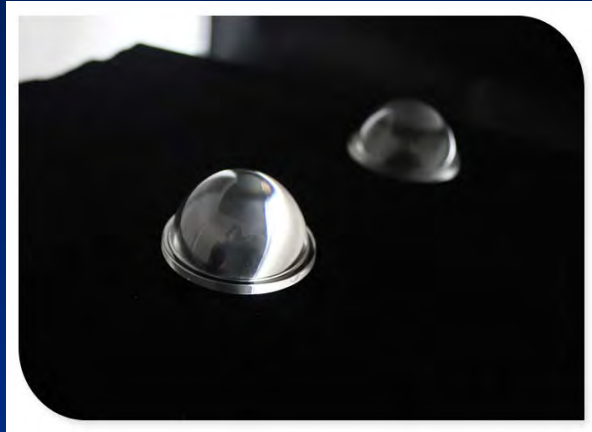
(for stainless steel holder+sealing ring) ;



(for Aluminum holder+sealing ring) ;

Products

➤ Spot-lights



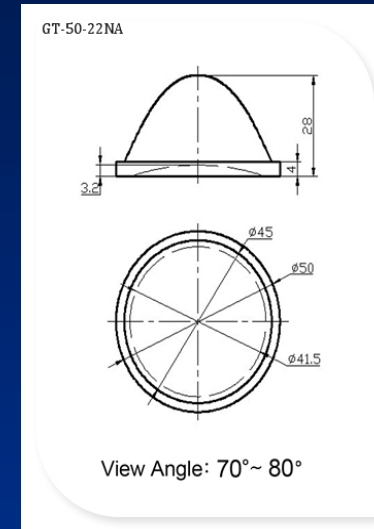
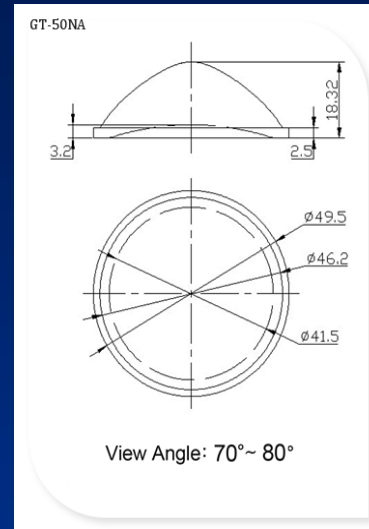
Item No.: GT-49-4NA

Beam angle:80 Deg.

Material: Borosilicate

Products

➤ Spot-lights



Item No.: GT-50NA/GT-50-22NA

Beam angle: 80 Deg./ 55deg.

Material: Borosilicate

Products

➤ Spot-lights



(for stainless steel holder+sealing ring) ;



(for Aluminum holder+sealing ring) ;

Products

➤ Spot-lights



Item No.: GT-Combination Lens

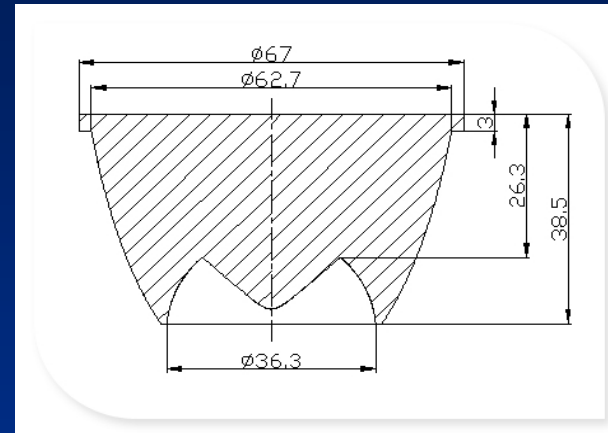
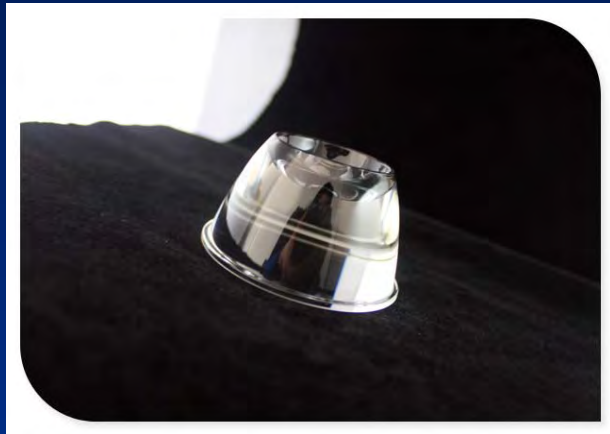


Beam angle:40 Deg.

Material: Borosilicate

Products

➤ Reflector Lens



Item No.: GT-67-7

Beam angle: 45 Deg.

Material: Borosilicate

Products

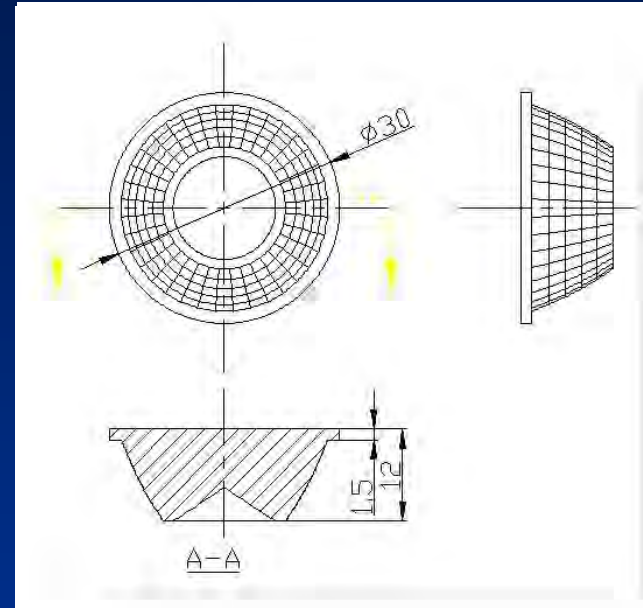
➤ Reflector Lens



(for aluminium holder+sealing ring) ;

Products

➤ Reflector Lens



Item No.: GT-30-17

Beam angle: 20 Deg.

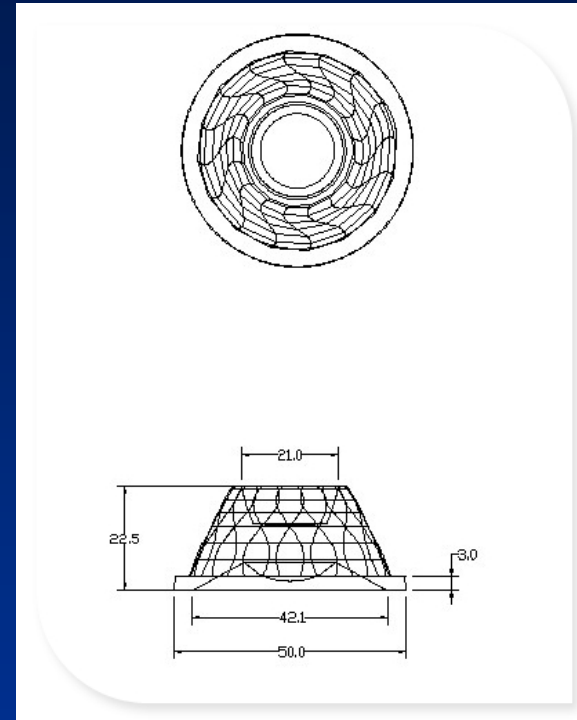
Material: Borosilicate

Products

➤ Reflector Lens



Item No.: GT-50-46

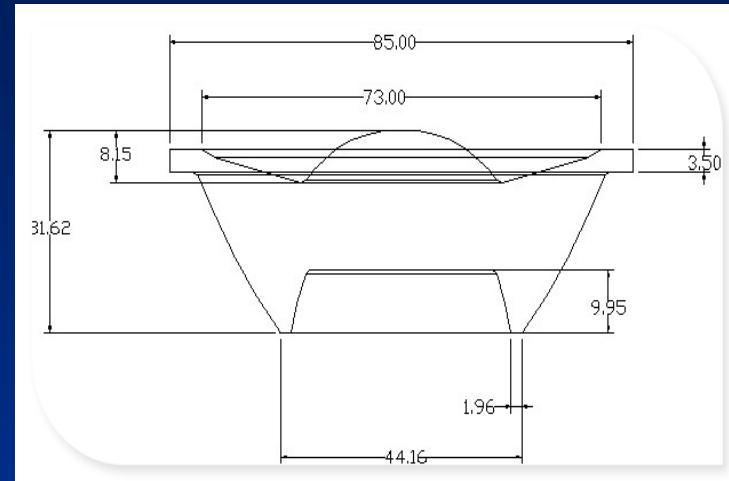
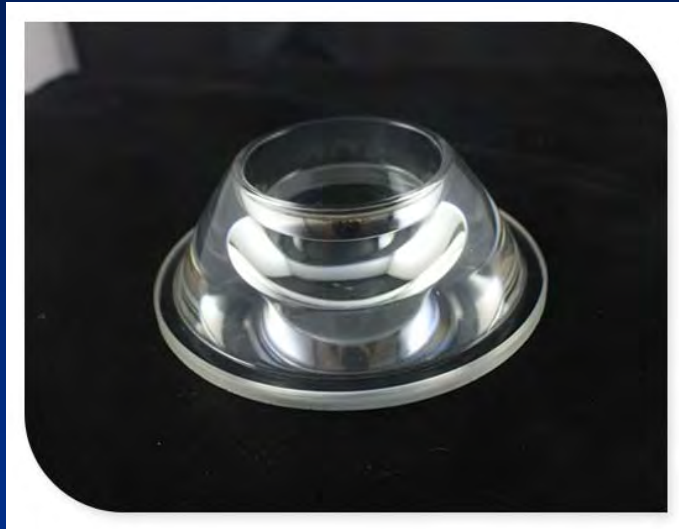


Beam angle: 30 Deg.

Material: Borosilicate

Products

➤ Reflector Lens(New Product)



Item No.: GT-85-10

Beam angle:30 Deg.

Material: Borosilicate

Products

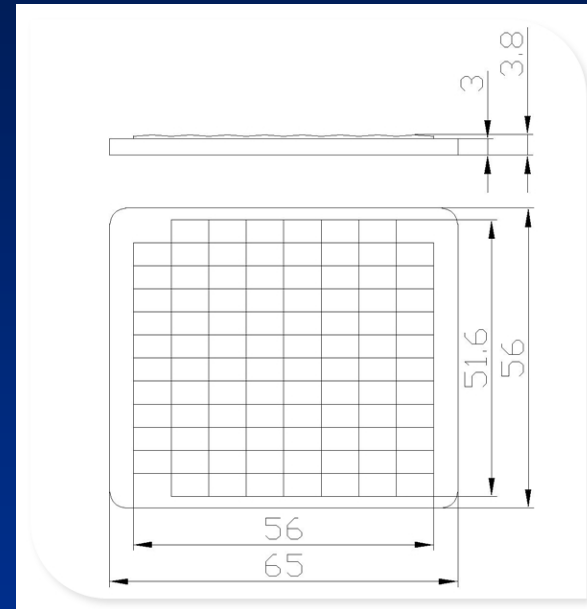
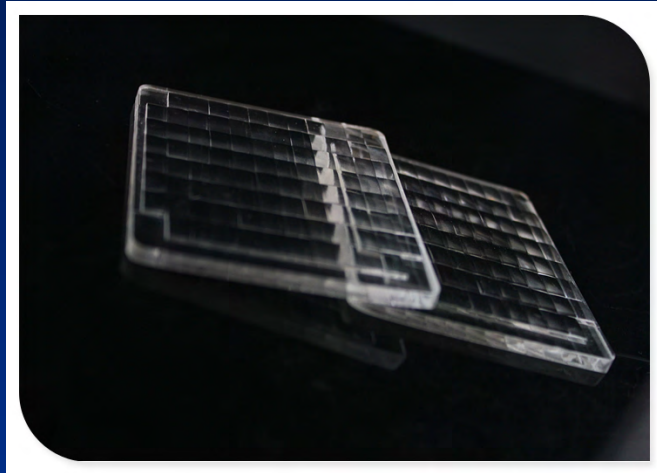
➤ Reflector Lens



(for aluminium holder+sealing ring) ;

Products

➤ Projects

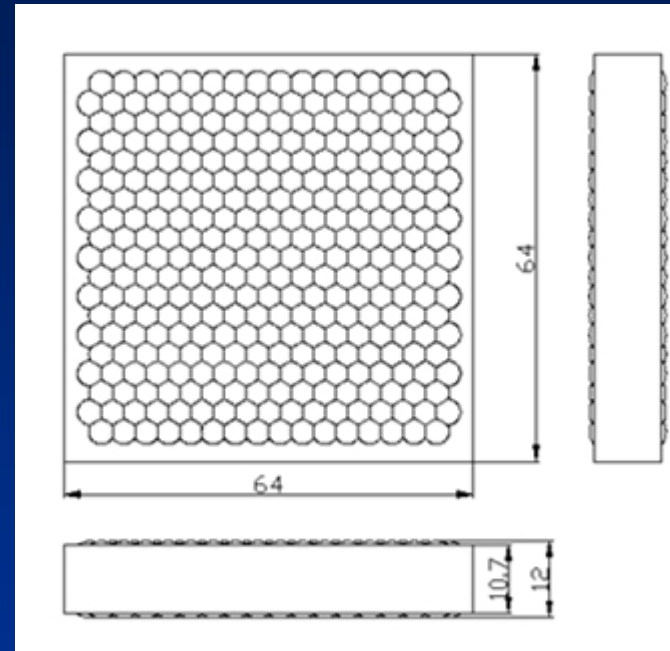
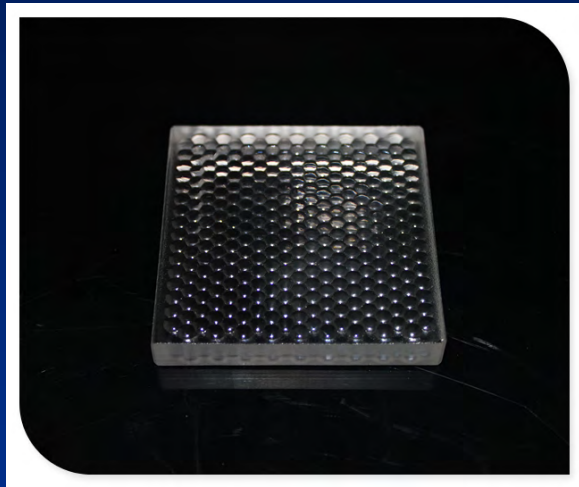


Item No.: Fly eyes

Material: Borosilicate

Products

➤ Projects

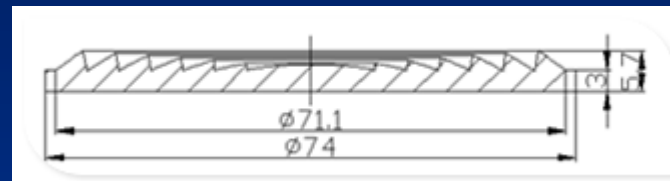


Item No.: Double Fly eyes

Material: Borosilicate

Products

➤ Projects

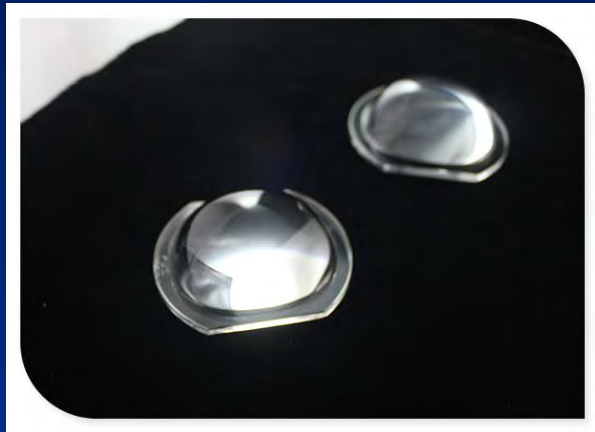


Item No.: Fresnel Lens

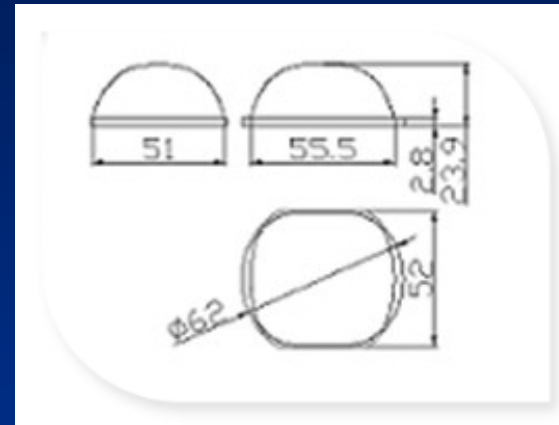
Material: Borosilicate

Products

➤ Projects



Item No.: GT-60TY



Rectangular spot beam

Material: Borosilicate